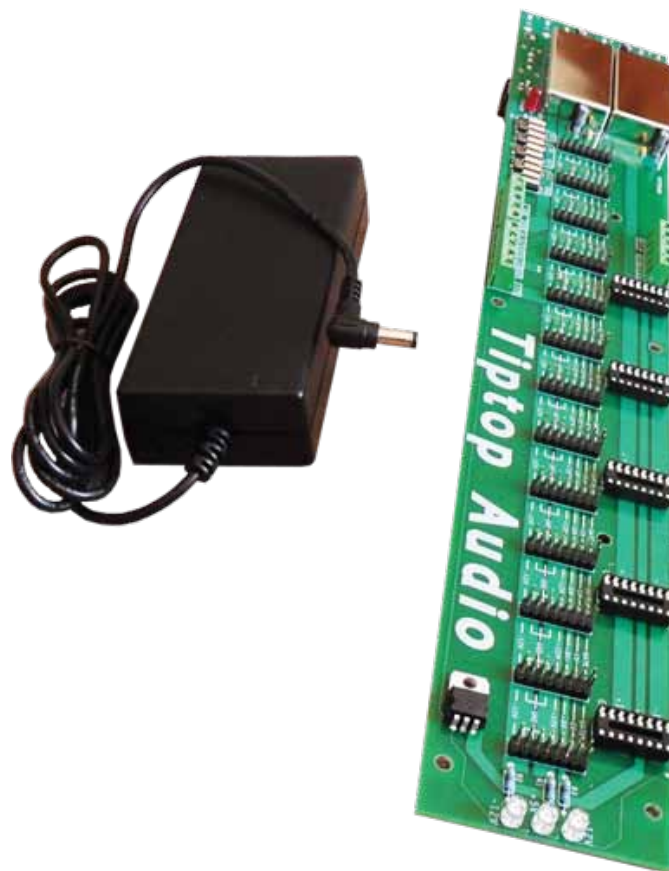




# **ZEUS Series** **Powered Bus Board**



## **Quick-Connect**

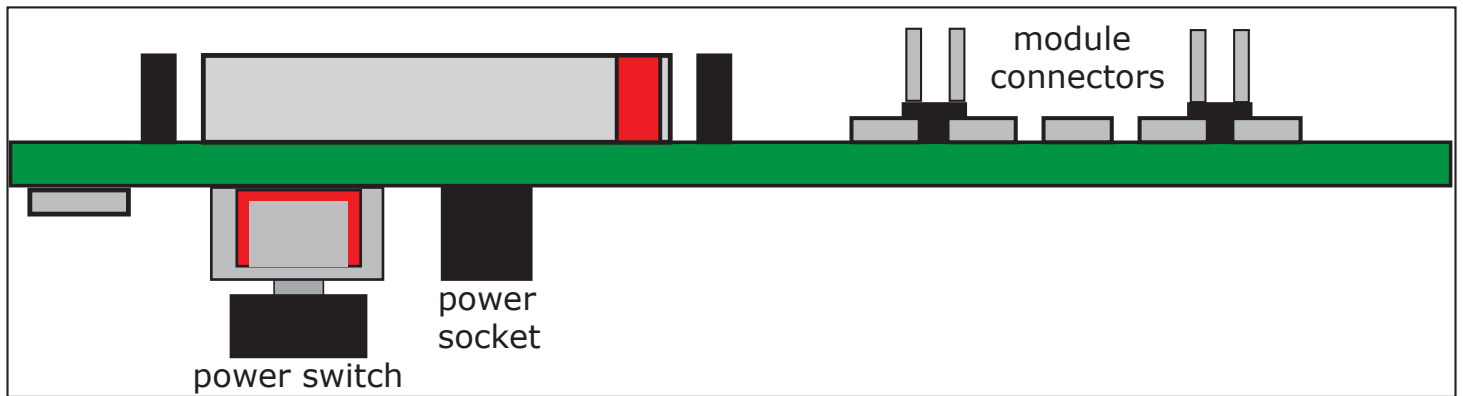
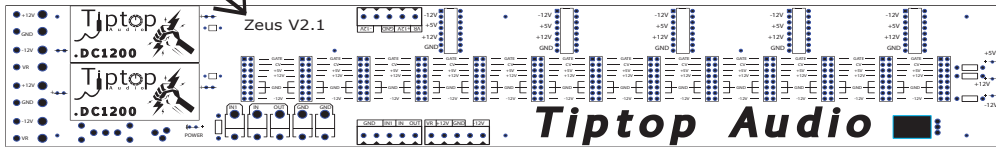
**For Version 2.1 Boards**



# ZEUS Series Powered Bus Board Quick-Connect

**Important:**  
**Check for**  
**Version 2.1!!**

for more information  
refer to last page



The **ZEUS Powered Bus Board Quick-Connect** 'quick connects' to an external, laptop-style universal power supply so no wiring or soldering is required, it's plug 'n' play! The **Quick-Connect** will usually be used as the foundation for a new modular synthesizer system and will provide the ability for power expansion as the increased power requirement of your system grows in time.

The **ZEUS 1200mA Powered Bus Board** provides +/-12V of audio grade power with 1200mA from each rail as well as up to 500mA of +5V supply. The +5V does not consume any power from either the +12V or -12V, it gets its power from the external power supply.

The switch and power socket are located on the under side of the **Bus Board** and the module connectors are located above.

The **Quick-Connect** uses a barrel connector with a 2.5mm center pin (center pin is +). We recommend using the **Quick-Connect** with Cincon brick power supplies. Cincon is a leading supplier of switching power supplies.



(Continued...)



# ZEUS Series Powered Bus Board Quick-Connect

Below is a list of recommended Cincon power supplies and their part numbers. These power supplies are universal and can be used in both 110V and 220V with no need for any transformer.

These power supplies are available from our distributors as well as Mouser Electronics in the US and Cincon distributors internationally.

The power supplies listed here are set in order with recommendation per system size. Please note: these are only recommended numbers and are listed here to help plan ahead for your system power requirement as it grows.

\*All power supplies are universal and can be used in **110V and 220V**. No step up or down transformer is needed. The only addition would be the correct country plug adapter.

**Always power your ZEUS with a surge protector. This will ensure good stability and longevity of your power system.**

Recommended for 3-9U:

Cincon 12V 3.75Amp (3750mA) Part Number : TRG45A120-12

Mouser Part Number: 418-TRG45A12-12-V

**(Continued...)**





# ZEUS Series Powered Bus Board Quick-Connect

Recommended for large systems 9-14U:

Cincon 12V 5.5Amp (5500mA) Part Number : TR70A12-02A03

Mouser Part Number: 418-TR70A12-02

Recommended for very large systems:

Cincon 12V 8.34Amp (8340mA) Part Number : 418-TRG100A120-12-V

Mouser Part Number: 418-TRG100A120

*Cincon also produces additional power supplies with up to 12.5Amp*

Cincon 12V 12.5Amp (12,500mA) Part Number : TRG150A120-12

Mouser Part Number: 418-TRG150A120-12

For a more in-depth introduction to the **ZEUS** power systems and how to connect to our **ZEUS Passive Bus Boards** along with its additional set of features, please refer to our full manual located below:

<http://www.tiptopaudio.com/manuals/zeus.pdf>



# ZEUS Series Powered Bus Board Quick-Connect

## Assembly notes:

It is recommended to mount the board on tubular plastic spacers using screws and nuts size 6 to secure the board to your case. A small opening in the back of your case is required for the power socket and switch to go through. There is no danger from hot AC lines while installing the board. The on-board DC1200 regulators (shiny metal parts on the left) will get hot at full power, when overloaded, or in a situation of a short. Therefore it is recommended to keep them from touching fire-hazardous materials such as wood, plastic, or paper, etc.

## ZEUS Series Powered Bus Board Quick-Connect

- DC1200 Voltage Input:** 9V-16V DC
- DC1200 +12V Output:** 1200mA\* max.
- DC1200 -12V Output:** 1200mA\* max.
- +5V Output:** 500mA\* max.
- Eurorack Connectors:** 13.
- Analogue Systems Connectors:** 5.
- Flat Terminal Inputs:** 1 set.
- Screw Terminal Inputs:** 1 set.
- Flat Terminal Outputs:** 2 sets.
- Screw Terminal Outputs:** 2 sets.

\*These figures have been tested and guaranteed with 12V power supplies.

NOTE: The +5V rail in all **ZEUS** products feeds off the external power supply and does not consume any power from the +12V or -12V rails. It is also good practice to power your **ZEUS** through a surge protector.



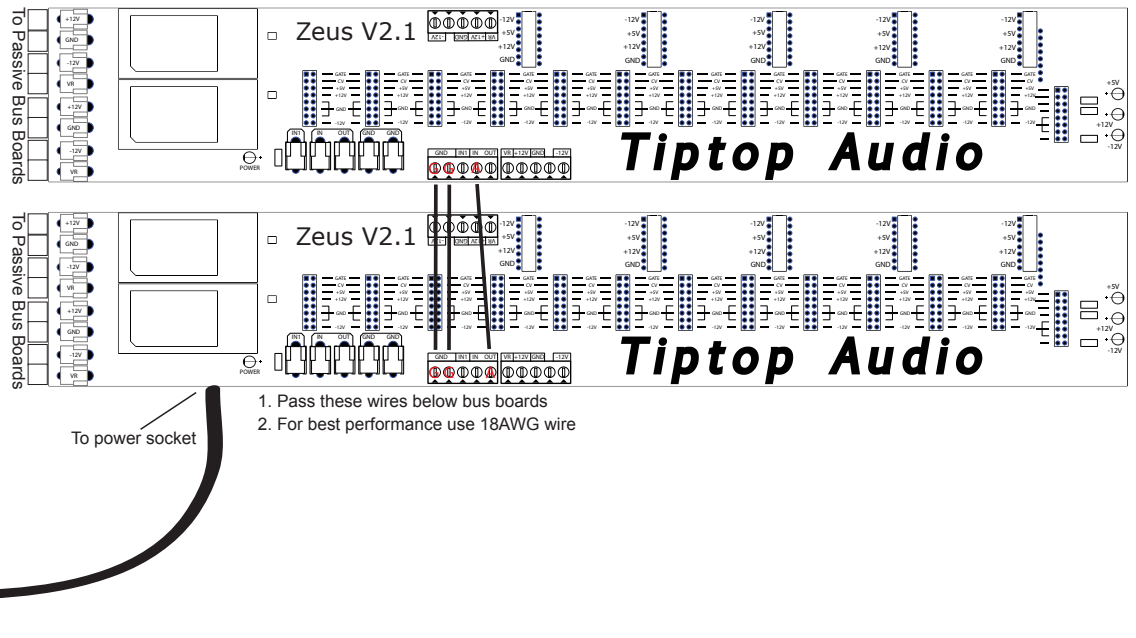


# ZEUS Series Powered Bus Board Quick-Connect

## Wiring Diagrams

### Basic System 2 - Using Screw Terminals.

- 1 x Quick-Connect 1200mA Powered Bus Board
- 1 x 1200mA Powered Bus Board



(Continued...)



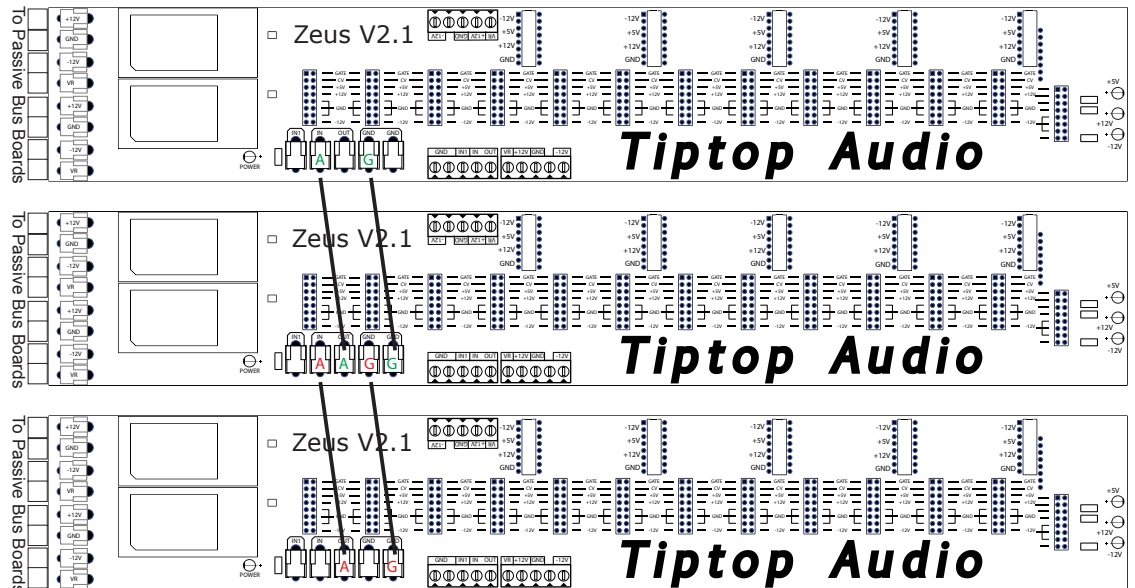


# ZEUS Series Powered Bus Board Quick-Connect

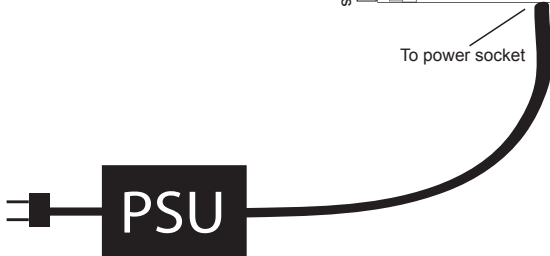
## Wiring Diagrams

### Basic System 3 - Using Flat Terminals.

- 1 x Quick-Connect 1200mA Powered Bus Board
- 2 x 1200mA Powered Bus Board



1. Pass these wires below bus boards
2. Use terminals, Mouser PN# 159-1210



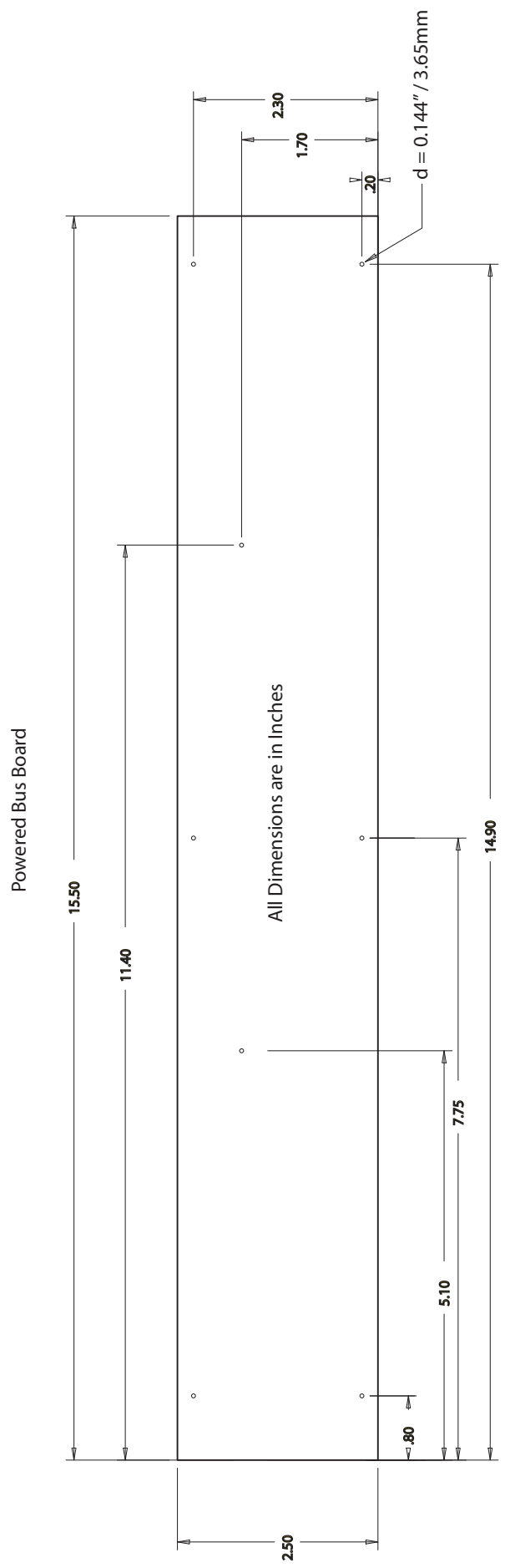
(Continued...)







# ZEUS Series Powered Bus Board Quick-Connect





# ZEUS Series Powered Bus Board Quick-Connect

## Change Log

### Changes from Version 1.0 -> Ver. 2.1 Boards

- Rearranged left terminals to minimize clutter
- '2.1' version printed on board
- Increased 5V power supply from 220mA to 500mA
- Updated Cincon/Mouser Part Numbers in manual



# ZEUS Series Powered Bus Board Quick-Connect

For Version 2.1 Boards

Manual by Gur Milstein & Tomio Ueda

